

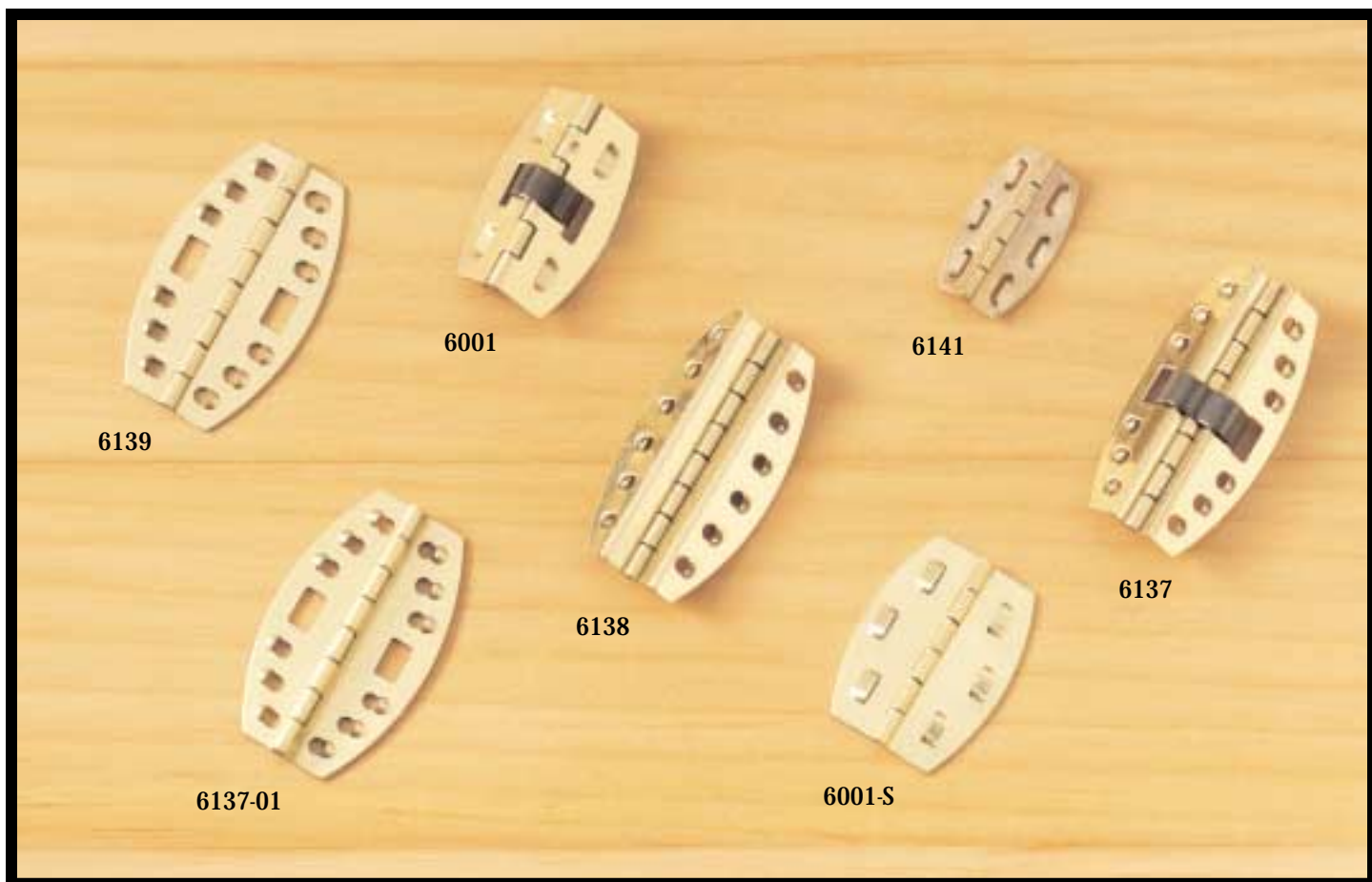
KERF-CUT HINGES



Our self-fastening kerf-cut hinges are easy to affix and economical to use.

A series of mini-barbed self-fasteners firmly attach box lid and base, resulting in a “hidden-hinge” look which enhances the appearance of your product.

Our kerf-cut hinge is also a popular method for attaching double and triple frames.

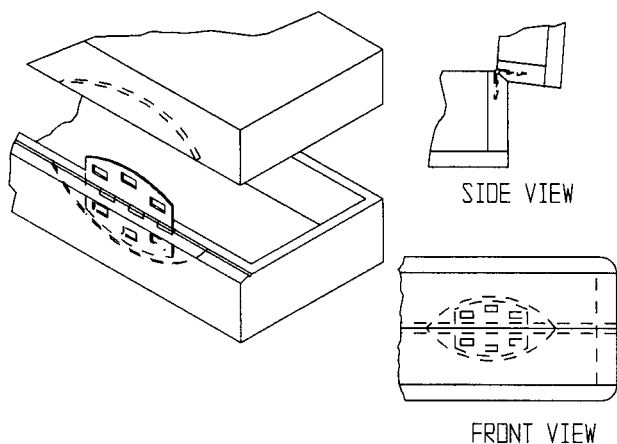


CRAFT INC.® “Pioneers in Self-Fastening Hardware”

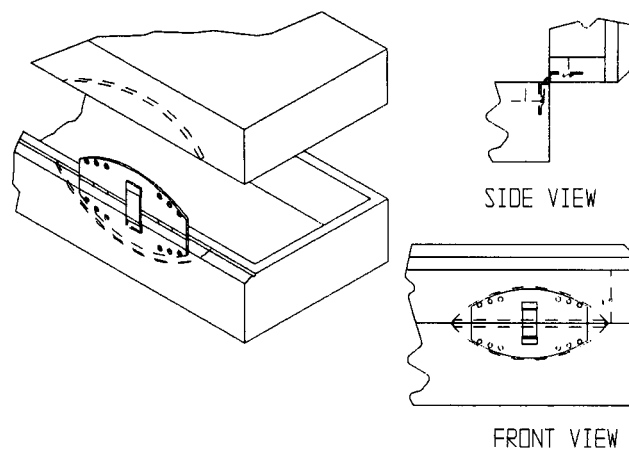
1929 County Street • P.O. Box 3049 • South Attleboro, MA 02703-0912 USA • 1-800-8CRAFT8 ~ 508-761-7917 ~ Fax: 508-399-7240
[www: www.craft-inc.com](http://www.craft-inc.com) ~ [email: craft@craft-inc.com](mailto:craft@craft-inc.com)

Product Specifications: Kerf-Cut Hinges

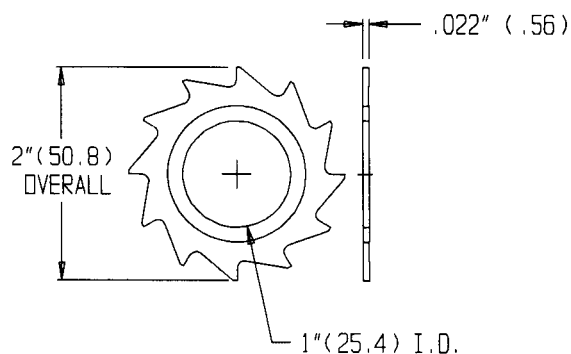
HINGE #	LENGTH X WIDTH	SPRING AVAILABILITY\ANGLE	FLAT \ OFFSET HEIGHT	KERF BLADE RECOMMENDED
6001	1 1/8(28.5)X 7/8(22.2)	SPRING AVAILABLE 85° +- 4°	FLAT	MP275-46/MP275-32
6001-S	1 1/8(28.5)X7/8(22.2)	NO SPRING	FLAT	MP275-46/MP275-32
6141	7/8(22.2)X19/32(15.1)	NO SPRING	FLAT	MP200-22
6137	1 1/2(38.1)X29/32(23.0)	SPRING AVAILABLE 85° +- 4°	OFFSET - .100(2.54)	MP275-46/MP275-32
6138	1 1/2(38.1)X13/16(20.6)	NO SPRING	OFFSET - .150(3.81)	MP275-46/MP275-32
6139	1 1/2(38.1)X29/32(23.0)	SPRING AVAILABLE 85° +- 4°	FLAT	MP275-46/MP275-32



6001

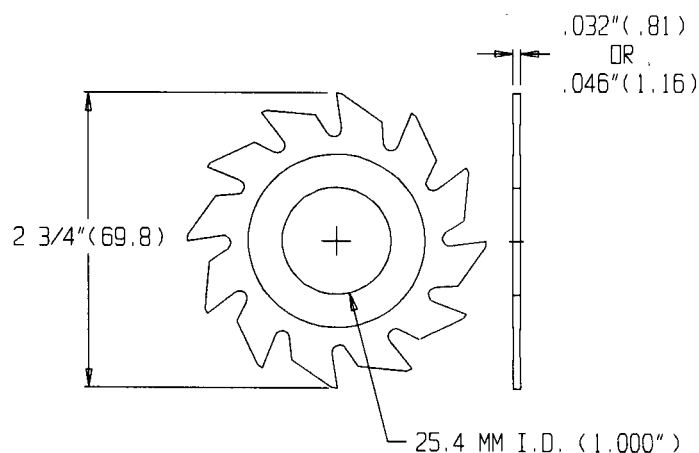


6137



MP200-22
H.S.S. BLADES
12 TEETH

PART SHOWN NOT
ACTUAL SIZE



MP275-32/MP275-46
H.S.S. BLADE
12 TEETH

PART SHOWN NOT
ACTUAL SIZE

PLEASE CONTACT CUSTOMER SERVICE
FOR TECHNICAL DATA



CRAFT INC.® "Pioneers in Self-Fastening Hardware"

1929 County Street • P.O. Box 3049 • South Attleboro, MA 02703-0912 USA • 1-800-8CRAFT8 ~ 508-761-7917 ~ Fax: 508-399-7240
www: www.craft-inc.com ~ email: craft@craft-inc.com